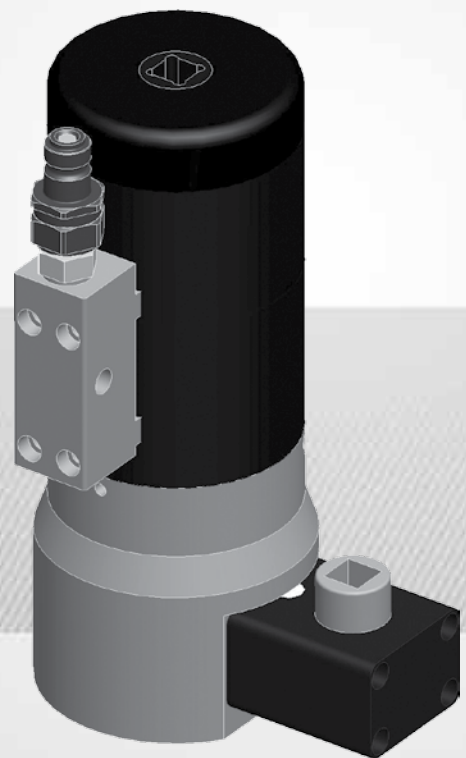




SUPERIOR BOLTING SOLUTIONS®

# WINDMASTER™ M36 X 4 MULTI-DECK TENSIONER

NEW TECHNOLOGY



**SUPERIOR** BOLTING SOLUTIONS®



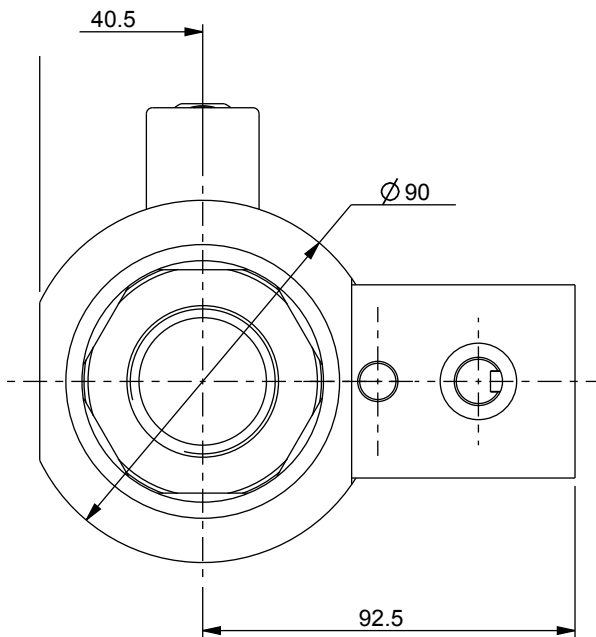
SUPERIOR BOLTING SOLUTIONS®

# WINDMASTER™ M36 X 4 MULTI-DECK TENSIONER

SPECIFICATION		
MAX WORKING PRESSURE	150	MPa
MAX LOAD	676.1	kN
MAX STROKE	8	mm
APPROX. TOOL WEIGHT	7.5	kg

TOOL FEATURES:

- FAST SPRING RETURN
- 10,000 CYCLE FATIGUE LIFE
- LONG LIFE SEAL PERFORMANCE
- OPTIONAL NIPPLE/COUPLING CONFIGURATIONS
- LOW MAINTANCE GEAR DRIVE



VIEW SHOWING BRIDGE PROFILE

