



WINDMASTER[™] M36 X 4 MULTI-DECK TENSIONER

NEW TECHNOLOGY



SUPERIOR BOLTING SOLUTIONS[®]



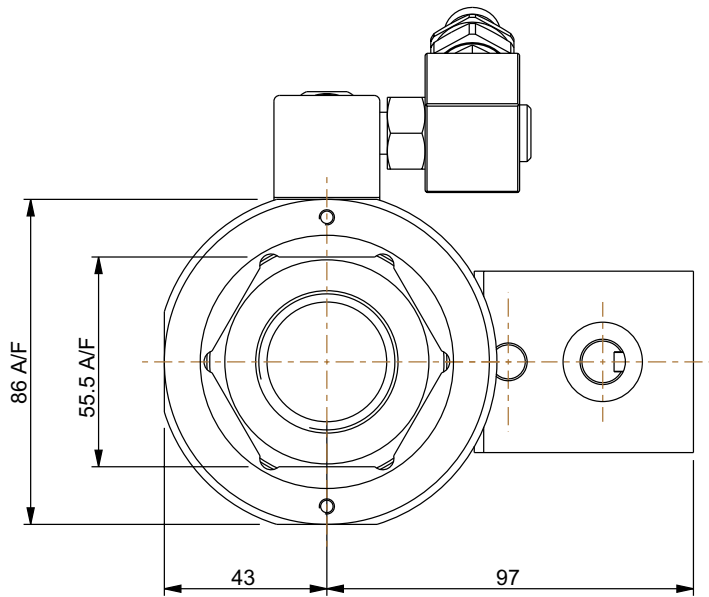
SUPERIOR BOLTING SOLUTIONS®

WINDMASTER™ M36 X 4 MULTI-DECK TENSIONER

SPECIFICATION				
MAX WORKING PRESSURE	150	MPa	21750	psi
MAX LOAD	725	kN	163	klbf
MAX STROKE	10	mm	0.394	in
APPROX. TOOL WEIGHT	9.0	kg	19.8	lb

TOOL FEATURES:

- CARRYING HANDLE
- FAST SPRING RETURN
- 10,000 CYCLE FATIGUE LIFE
- LONG LIFE SEAL PERFORMANCE
- OPTIONAL NIPPLE/COUPLING CONFIGURATIONS
- LOW MAINTENANCE GEAR DRIVE



VIEW SHOWING BRIDGE PROFILE

