



TITAN P+
Air
Hydraulic Pump



TWO-STAGE AIR HYDRAULIC PUMP

Max. Capacity: 10,000 PSI


NOTE:

- Carefully inspect the pump upon arrival. The carrier, not the manufacturer, is responsible for any damage resulting from shipment.
- Read and carefully follow these instructions. Most problems with new equipment are caused by improper operation or installation.
- Do not change motors without consulting the pump manufacturer's Technical Services Department.

SAFETY PRECAUTIONS

WARNING: To help prevent personal injury,

HYDRAULIC HOSE

- Before operating the pump, all hose connections must be tightened with the proper tools. Do not overtighten. Connections should only be tightened securely and leak-free. Overtightening can cause premature thread failure or high pressure fittings to split at pressures lower than their rated capacities.
- Always shut off the electric motor before breaking any connections in the system.
- ould a hydraulic hose ever rupture, burst, or need to be disconnected, immediately shut off the pump. Never attempt to grasp a leaking pressurized hose with your hands. The force of escaping hydraulic fluid could cause serious injury.
- Do not subject the hose to potential hazard such as fire, sharp surfaces, extreme heat or cold, or heavy impact. Do not let the hose kink, twist, curl or bend so tightly that oil flow within the hose is blocked or reduced. Periodically inspect the hose for wear, because any of these conditions can damage the hose.
- Do not use the hose to move attached equipment. Stress can damage the hose, causing personal injury.
- Hose material and coupler seals must be compatible with the hydraulic fluid used. Hoses also must not come in contact with corrosive materials such as creosote-impregnated objects and some paints. Consult the manufacturer before painting a hose. Never paint the couplers. Hose deterioration due to corrosive materials can result in personal injury.

PUMP

- Do not exceed the PSI hydraulic pressure rating noted on the pump nameplate or tamper with the internal high pressure relief valve. Creating pressure beyond rated capacities can result in personal injury.
- Before replenishing the oil level, retract the system to prevent overfilling the pump reservoir. An overfill can cause personal injury due to excess reservoir pressure created when the cylinders are retracted.

CYLINDER

- Do not exceed the rated capacities of the cylinders. Excess pressure can result in personal injury.
- Do not set poorly balanced or off-center loads on a cylinder. The load can tip and cause personal injury.

Power Supply (Air Driven Motor)

- Disconnect air supply when pump is not in use or when breaking any connection in the hydraulic system.
- A shut-off valve or quick disconnect should be installed in the air line to the pump unit. Close the shut-off valve before connecting the air line to the pump.

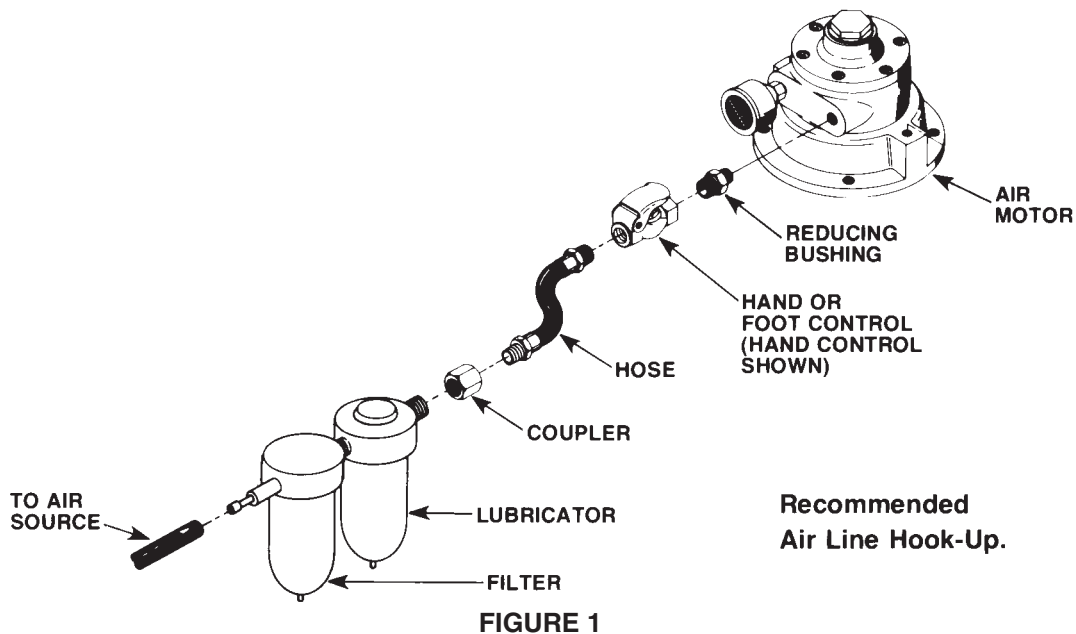
TITAN P+ Operating Instructions

HYDRAULIC PUMP SET-UP PROCEDURE

Motor Hook-up and Operation

Air Motor: Remove the thread protectors from the air inlet, and install the air supply fittings (not supplied) as shown in Figure 1. Air supply must be minimum 50 CFM and 80 PSI, with 100 PSI maximum.

IMPORTANT: Seal all external pipe connections with a high-quality, nonhardening thread sealant. Teflon tape can be used to seal hydraulic connections if only one layer of tape is used. Apply the tape carefully, two threads back, to prevent it from being pinched by the coupler and broken off inside the system. Any loose pieces of tape could travel through the system and obstruct the flow of oil or cause jamming of precision-fit parts.



SET-UP AND OPERATION

Filling The Reservoir

NOTE: The pump has been shipped without oil in the reservoir. High-grade hydraulic oil has been shipped with the pump in a separate container. If additional oil is required, use a high-grade, approved hydraulic oil.

1. Clean the area around the filler cap to remove all dust and grit. Any dirt or dust in the oil can damage the polished surfaces and precision-fit components of the pump.
2. Retract all cylinders to the return position.
3. Remove the filler cap, and insert a clean funnel and filter. Fill with hydraulic oil to 1/2" from the top of the filler hole. Replace filler cap with the breather-hole in the filler cap open.
4. Cycle the pump (with cylinders attached) several times. Retract the cylinders, and check the oil level in the pump reservoir again.

Hydraulic Connections

1. Clean all the areas around the oil ports of the pump and cylinder.
2. Inspect all threads and fittings for signs of wear or damage, and replace as needed.
3. Clean all hose ends, couplers or union ends.
4. Remove the thread protectors from the hydraulic oil outlets. Connect the hose assembly to the hydraulic oil outlet, and couple the hose to the cylinder. Although a high-grade, non-hardening thread sealant is preferred, teflon tape may be used to seal hydraulic connections if only one layer of tape is used. Apply carefully to prevent the tape from being pinched by the coupler and broken off inside the pipe end. Any loose pieces of tape could travel through the system and obstruct the flow of oil.

TITAN P+ Operating Instructions

SET-UP AND OPERATION (CONTINUED)

Priming The Pump

When operating the pump for the first time:

1. Valve and hose connections must be tight, and the reservoir must be filled to the proper oil level. Start the motor.
2. Jog the pump several times to build pressure. If the pump doesn't build pressure, it may not be primed. Disconnect a hose from the system and route it back to the pump reservoir. Run the pump until a steady flow of oil is observed free of suspended air bubbles. Reconnect the hose to the system.
3. Run cylinder out to its full travel several times to eliminate air from the system. For more complete instructions, refer to the section titled "Bleeding Air From The System."
4. The pump is ready to be put into regular operation.

IMPORTANT: After eliminating trapped air from a large work-holding system, retract the cylinders and refill the pump reservoir to 1/2" from the top of the filler hole.

Adjusting The Pressure Regulating Valve

NOTE: For easy adjustment of the pressure regulating valve, always adjust the pressure by *increasing* to the desired pressure setting.

1. Loosen the wing nut on the pressure regulating valve, and turn the knob out a few turns in a counterclockwise direction. This will *decrease* the setting to a lower than desired pressure.
2. The pump must be completely connected. Press and hold the Run button on the hand switch.
3. Slowly turn the pressure regulator knob in a clockwise direction. This gradually *increases* the pressure setting. When the desired pressure is reached, lock the knob in position by tightening the wing nut.

PREVENTIVE MAINTENANCE



WARNING: To help prevent personal injury,

- Disconnect the pump from the power supply before performing maintenance or repair procedures.
- Repairs and maintenance are to be performed in a dust-free area by a qualified technician.

Bleeding Air From The System

Air can accumulate in the hydraulic system if the reservoir oil level is too low. This air causes the cylinder to respond in an unstable or slow manner. To remove the air:

1. The hydraulic cylinder(s) must be positioned on their side(s) with the couplers located upward.
2. Remove any load from the cylinder(s), and cycle the hydraulic system through several cycles (fully extend and retract the cylinders).

IMPORTANT: Some of the single-acting spring return cylinders have a cavity in the rod that forms an air pocket. This type of cylinder must be positioned upside down when the hydraulic system is bled.

Hydraulic Fluid Level

1. Check the oil level in the reservoir after each 10 hours of use. Proper oil level is 1/2" from the top of the fill hole when all cylinders are retracted.
2. Drain, flush, and refill the reservoir with an approved, high-grade hydraulic oil after approximately every 300 hours of use. The frequency of oil changes will depend upon the general working conditions, severity of use, and overall cleanliness and care given the pump.

Lubrication (Air Driven Motor Only)

If the pump is operated on a continuous duty cycle or a maximum speeds for extended periods, an automatic air line oiler should be installed in the air inlet line as close to the pumping unit as possible. Set the unit to feed 1-3 drops of oil per minute (one drop for every 50-75 CFM of air) into the system, or refer to the pump manufacturer's instructions. Use SAE No. 10 oil.

Maintenance Cleaning

1. Keep the pump's outer surface as free from dirt as possible.
2. Seal all unused couplers with thread protectors.
3. Keep all hose connections free of dirt and grime.
4. The breather-hole in the filler cap must be clean and unobstructed at all times.
5. Equipment connected to the pump must be kept clean.
6. Use only an approved, high-grade hydraulic oil in this pump. Change as recommended (every 300 hours).

Draining And Flushing The Reservoir

IMPORTANT: Clean the pump exterior before the pump interior is removed from the reservoir.

1. Remove the ten screws fastening the motor and pump assembly to the reservoir. **IMPORTANT: Do not damage the gasket or pump the filter or pressure regulating valves when lifting the pump and motor off the reservoir.**
2. Clean the inside of the reservoir and fill with a suitable flushing oil. Rinse the filter clean.
3. Place the pump and motor assembly back onto the reservoir, and secure with two machine screws assembled on opposite corners of the housing.

IMPORTANT: The hydraulic flow control valve must be in the neutral position for the following step. Because this pump is equipped with a valve that has only an advance or retract position, place the valve in the advance position, and connect a hose to the advance port on the valve. Place the other end of the hose into the oil filler plug hole.

4. Run the pump for several minutes. Then disconnect the motor and pump assembly, and drain and clean the inside of the reservoir.
5. Fill the reservoir with an approved, high-grade hydraulic oil.
Place the pump and motor assembly (with gasket) on the reservoir, and thread the ten screws. Tighten securely and evenly.

TITAN P+ Operating Instructions

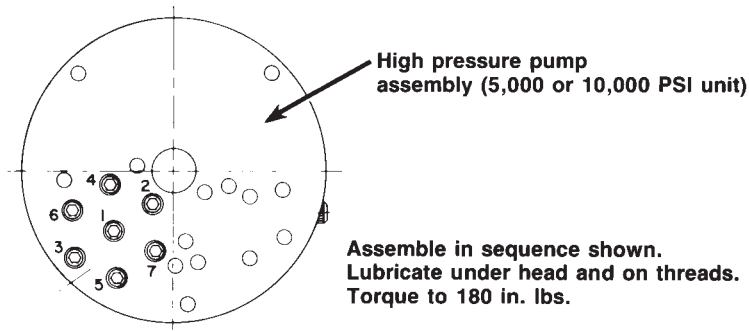
PREVENTIVE MAINTENANCE (CONTINUED)

Adding Oil To The Reservoir

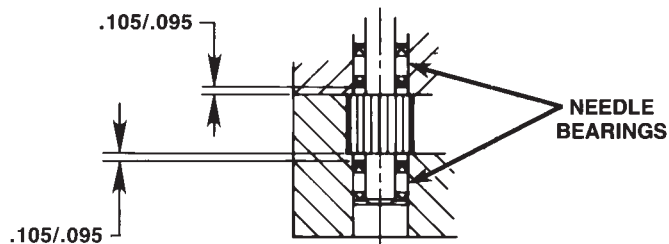
1. Cylinder(s) must be fully retracted and the power supply disconnected when adding oil to the reservoir.
2. Clean the entire area around the filler plug before removing the filler plug.
3. Use a clean funnel with filter when adding oil.
4. Use an approved, high-grade hydraulic oil (215 SSU @ 100° F) only.

REASSEMBLY SPECIFICATIONS

HIGH PRESSURE PUMP ASSEMBLY BOLT TIGHTENING SEQUENCE



NEEDLE BEARING INSTALLATION SPECIFICATIONS



When replacing the needle bearings on the drive gear of the basic pump, the dimensions shown must be as specified.

TROUBLESHOOTING GUIDE



WARNING

- To help prevent personal injury, any repair work or troubleshooting must be done by qualified personnel familiar with this equipment.
- Use the proper gauges and equipment when troubleshooting.

NOTE:

- It is often best to check for leaks by using a hand pump and applying pressure to the suspect area without the motor running. Watch for leaking oil and follow it back to its source.
- Plug the outlet ports of the pump when checking for leakage to determine if the leakage is in the pump or in the cylinder or tool.
- Refer to the Parts List #101990 included with your particular pump when using this troubleshooting guide.

PROBLEM	CAUSE	SOLUTION
Pump is not delivering oil or delivers only enough oil to advance cylinder(s) partially or erratically (continued).	1. Oil level too low.	1. Fill reservoir to 1/2" from top of filler hole with all cylinders retracted.
	2. Loose-fitting coupler to cylinder.	2. Check quick-disconnect couplings to cylinders. Inspect couplers to ensure that they are completely coupled. Occasionally couplers have to be replaced because the ball check does not stay open due to wear.
	3. Air in system.	3. Bleed the system.
	4. Air leak in suction line.	4. Check and tighten suction line.
	5. Dirt in pump or filter plugged.	5. Pump filter should be cleaned and, if necessary, pump should be dismantled and all parts inspected and cleaned.
	6. Oil is bypassing through the double-acting cylinder.	6. By removing the cylinder and capping the hoses, the pump and valve can be checked. Observe if pump holds pressure.
	7. Cold oil or oil too heavy (Hydraulic oil is of a higher viscosity than necessary).	7. Change to a lighter oil.
	8. Relief valve or low pressure unloading valve out of adjustment.	8. Adjust as needed.
	9. Reservoir capacity is too small for the size of the cylinder(s) used.	9. Use smaller cylinder(s) or larger reservoir.
	10. Defective directional valve.	10. Inspect all parts carefully and replace if necessary.
	11. Sheared drive shaft key(s)	11. Replace.
	12. Motor rotating in wrong direction.	12. Air motor: Air line connected into wrong port.
	13. Vacuum in reservoir.	13. Check for plugged vent in filler plug.
	14. Low pressure pump worn.	14. Remove end cap from low pressure gear pump. Clean pump, and replace worn gears, shifting spool, body or end cap.

TITAN P+ Operating Instructions

PROBLEM	CAUSE	SOLUTION
Pump builds pressure but cannot maintain pressure.	<ol style="list-style-type: none">1. Check to see if there are any external leaks. If no oil leakage is visible, the problem is internal. If using a double-acting cylinder, remove it from the system to ensure that the leak is not in the cylinder.2. To test for a leaking control valve, lift the pump from the reservoir but keep the filter in the oil. Remove the drain line to see if the oil is leaking from the valve. If the valve is not leaking, the internal check valve could be leaking. Refer to the note concerning checking for oil leaks at the beginning of this troubleshooting Guide.3. Leaking pressure switch seal.	<ol style="list-style-type: none">1. Seal leaking pipe fittings with pipe sealant.2. Clean, reseal or replace flow control valve parts. If the internal check valve(s) are leaking, the pump must be dismantled and the seat areas repaired, poppets replaced, etc.3. Repair or replace seal.
Pump will not build full pressure.	<ol style="list-style-type: none">1. Faulty pressure gauge.2. Check for external leakage.3. Check the external pressure regulator. Check the relief valve setting.4. Look for internal leakage in double-acting cylinders.5. Check for leaks in the flow control valve.6. Inspect the pump for internal leakage. Check high pressure pump inlet or outlet ball checks.	<ol style="list-style-type: none">1. Calibrate gauge.2. Seal faulty pipe fitting with pipe sealant.3. Lift the pump from the reservoir, but keep the filter immersed in oil. Note the pressure reading when the relief valve begins to open. If functioning normally, it should start to leak off at relief valve pressure.4. Remove the cylinder from the pump. If the pump builds full pressure, the cylinder is defective.5. Clean and reseal or replace parts.6. Same procedure as above, but look for leaks around the entire inner mechanism. If there are no visible leaks, the high pressure pump subassembly may be leaking. Remove all parts. Check the valve head assembly body for any damage to the seat area. Clean and reseal if necessary. Inspect for damage and replace if necessary, then reassemble.

TITAN P+ Operating Instructions

PROBLEM	CAUSE	SOLUTION
Pump will not build full pressure. (Continued)	<ol style="list-style-type: none">7. Sheared key(s).8. Inadequate air pressure9. Shifting spool seat and/or shifting spool poppet (located under high pressure pump assembly) worn.10. Shifting spool o-ring (located within shifting spool bore) worn or broken.	<ol style="list-style-type: none">7. Replace.8. Increase air pressure.9. Clean and reseal or replace.10. With an o-ring pick, remove o-ring and backup washer through low pressure pump assembly end. Replace.
Cylinder(s) will not retract.	<ol style="list-style-type: none">1. Check the system pressure; if the pressure is zero, the control valve is releasing pressure and the problem may be in the cylinder(s), mechanical linkage connected to cylinder(s), or quick-disconnect couplings.2. Defective valve.3. Inadequate air pressure	<ol style="list-style-type: none">1. Check the cylinders for broken return springs, and check couplers to ensure that they are completely coupled. Occasionally couplers have to be replaced because one check does not stay open in the coupled position.2. Check valve operation and inspect parts. Replace if necessary.3. Increase air pressure.
Pump delivers excess oil pressure.	<ol style="list-style-type: none">1. Faulty pressure gauge.2. Relief valve not properly set.	<ol style="list-style-type: none">1. Calibrate gauge.2. Adjust the relief valve.

Please contact Titan Technologies
or your local Titan Representative or Dealer:



9001 Jameel Street Suite 180 • Houston, TX 77040
Toll-Free: 866.345.8484 • Phone: 281.449.9994 • Fax: 281.449.9996
Email: sales@titanti.com • <http://www.titanti.com>