

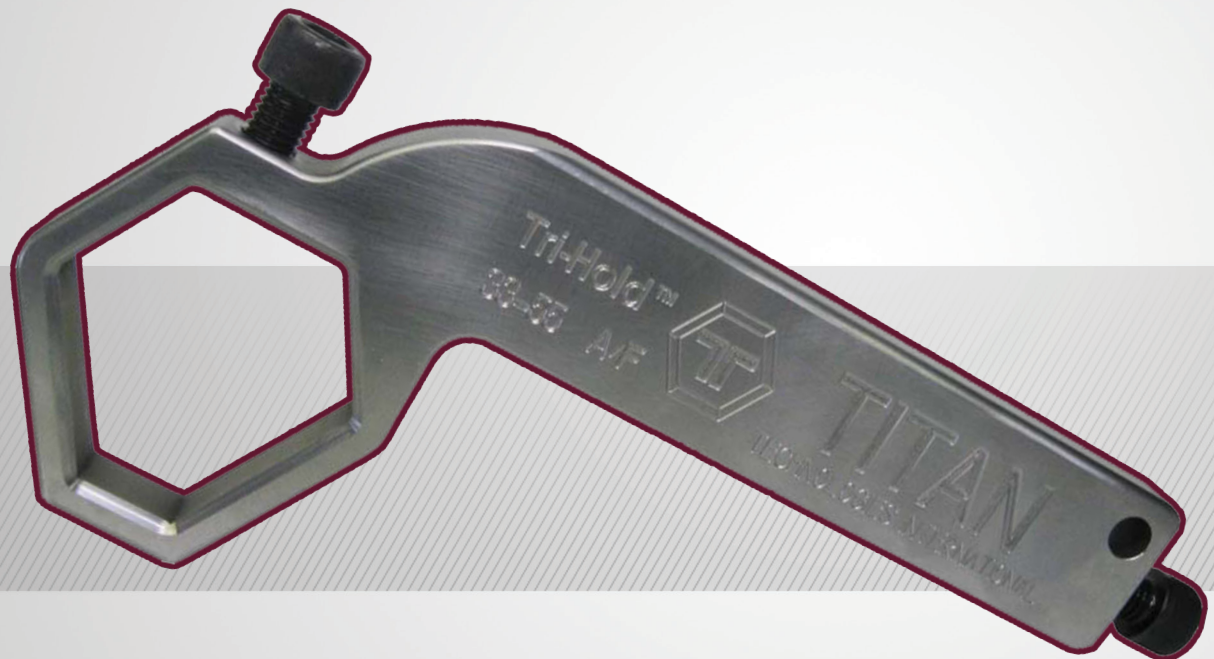


TITAN[®]

SUPERIOR BOLTING SOLUTIONS[®]

TRI HOLD[™]

Mechanical Back-up Tools
Patented NEW TECHNOLOGY



SUPERIOR BOLTING SOLUTIONS[®]

TRI HOLD™

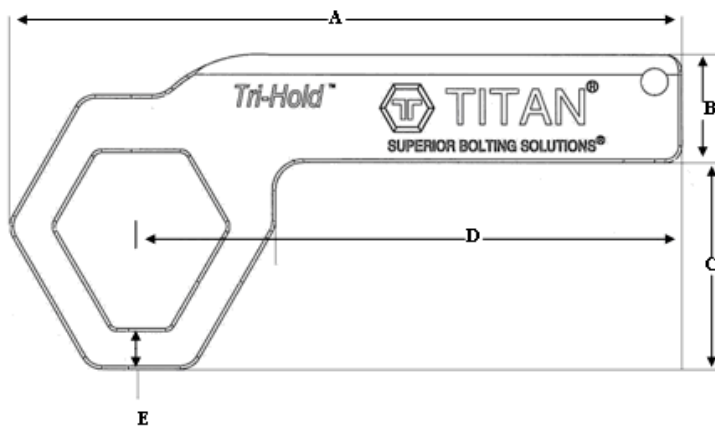
The most versatile & cost effective holding wrench system on the market.

HOW IT WORKS

The load is retained by the three flats of the triangle on the wrench. These flats are much stronger than the flats on a hex, thereby providing for a safer and more durable tool. The third flat of the triangle is retained by the adjustable screw. The screw secures the nut for hands free operation and safety. Loosening the screw provides for quick removal. The thickness of the wall is unchanged so the TRI HOLD™ will fit on the toughest applications. One tool handles unlimited hex sizes within the tool's range.



STRONGER AND MORE VERSATILE THAN STANDARD BACK-UP TOOLS



- Hands free operations for safety
- Intrinsicly safe
- One tool fits multiple size hex nuts
- Works on fractional and metric size nuts
- Fully adjustable
- Durable

Part #	Size Range in(mm)	A in(mm)	B in(mm)	C in(mm)	D in(mm)	E in(mm)
TTH-1	1 - 1.5/8 (26 - 41)	7.40 (187.99)	1.18 (30)	2.34 (59.52)	6.03 (153.2)	0.39 (10)
TTH-2	1.3/8 - 2.1/16 (35 - 55)	9.19 (233.57)	1.68 (42.67)	2.99 (76.17)	7.52 (190.93)	0.39 (10)
TTH-3	1.3/4 - 2.11/16 (44 - 69)	12.23 (310.74)	1.97 (49.9)	3.78 (96.1)	9.85 (250.09)	0.75 (19.1)
TTH-4	2.1/16 - 3.3/8 (54 - 86)	15.12 (384.11)	2.46 (62.5)	4.60 (116.94)	12.24 (310.90)	0.81 (20.6)
TTH-5	2.11/16 - 4.3/16 (68 - 107)	18.26 (463.69)	3.06 (77.80)	5.71 (145.10)	14.73 (374.24)	1.00 (25.4)