



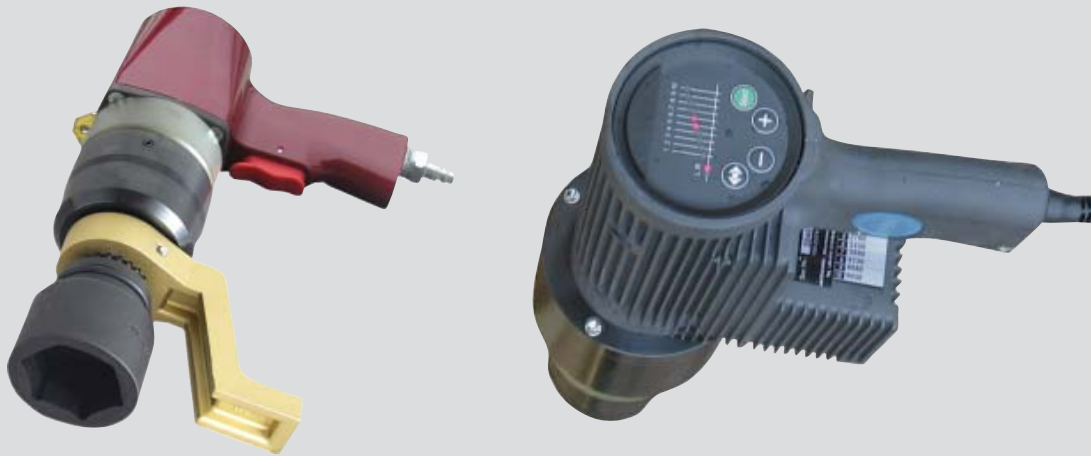
Dependable • Fast • Efficient

**TITAN**

**AirTite® Pneumatic Torque Wrenches**  
&

**E-TITE™ Electric Torque Wrenches**

are an integral element for getting  
your bolting job done right, on time, every time



TITAN is a leading bolting solutions provider committed to offering the most reliable and comprehensive bolting solutions world wide.



# TITAN

TECHNOLOGIES INTERNATIONAL, INC  
SUPERIOR BOLTING SOLUTIONS®

## AirTite®

Pneumatic Torque Wrenches



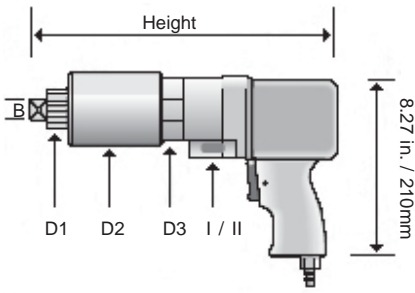
- **Calibrated & ready for use**
- **Powerful**
- **Compact**
- **Accurate**
- **Durable**
- **Faster**
- **Light-Weight**
- **Efficient**



### ***TITAN's Patented Technology Air-Tite®*** ***The New Global Standard for Pneumatic Torque Tools.***



- **Compact-Pneumatic-Torque Tool** - For continuously rotating loosening or tightening of bolted connections
- **Heavy-duty gear box** - Unique highly developed, tested and proven technology
- **Dedicated Heavy Duty Pneumatic Motor** - designed and manufactured for use in Titan AirTite tools. Insures Quality & Accuracy- Reliable & Robust - lower total cost of ownership.
- **Mechanical selection switch**- For power/run-down gear (AT-F2 gear) Fast - EASY to operate - Ensures durability - ERGONOMIC
- **Ergonomic & Safe control switch**- Instantly reversible clockwise and counter-clockwise rotation
- **Sintered Gears** - better stress distribution - practically indestructible
- **Finely crafted** - of the highest quality materials for unrivaled strength and long life.
- **Guaranteed Quality** - Titan backs its products with the strongest warranty in the business.
- **360 Degree Articulating Motor** -for unrivaled versatility and simplicity. Titan "R" Series ROTATES for tight area applications and increased safety.
- **QUIET** - 66-78 dB(A)
- **Continuous rotation** - loosen or tighten bolted connections Fast - EASY - Safe
- **TITAN Air-Tite® - Proven!** *Titan Technologies is the fastest growing company in our industry. We provide a better engineered tool at competitive prices. Our tools are designed for longer life so your total cost of ownership is less with Titan. The quality of the products, our service, and our people are the reason for this unprecedented growth.*



**ENGINEERED FOR QUALITY . . .  
 . . . BUILT TO LAST!**

*Rated for use at Full Capacity.  
 Unique gear design for Superior Strength and Life.*

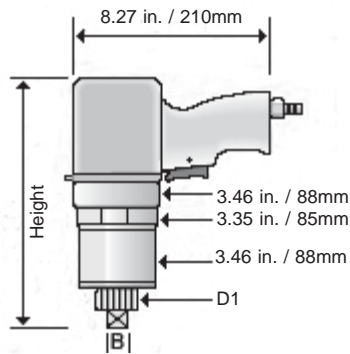


**AirTite® F-Series Two Speed**

Titan Model No.		AT800F-2	AT1200F-2	AT2650F-2	AT3700F-2	AT5800F-2	AT7000F-2	AT8100F-2	AT12500F-2	AT25000F-2	AT35000F-2
Torque Range*	ft-lb	280-830	406-1191	904-2652	1269-3728	1973-5801	2368-6959	2762-8121	4279-12539	8482-25077	11801-35845
	nm	380-1125	550-1615	1225-3595	1720-5055	2675-7865	3210-9435	3745-11010	5800-17000	11500-34000	16000-486000
1st Gear	ft-lb	89-262	125-372	284-834	398-1169	620-1822	745-2039	867-2548	1180-3540	2434-7154	3467-10252
	nm	120-355	170-505	385-1130	540-1585	840-2470	1010-2765	1175-3455	1600-4800	3300-9700	4700-13900
2nd Gear	ft-lb	120-355	170-505	385-1130	540-1585	840-2470	1010-2765	1175-3455	1600-4800	3300-9700	4700-13900
Square Drive (B)	in	3/4 & 1	1	1	1-1/2	1-1/2	1-1/2	1-1/2	2-1/2	2-1/2	2-1/2
D1**	in	1.61 / 2.13	2.13	2.13	2.83	2.83	2.83	3.58			
	mm	41 / 54	54	54	72	72	72	91	SW120	SW120	SW120
D2	in	3.35	3.35	3.35	3.86	4.84	5.83	6.81	10.83	10.83	10.83
	mm	85	85	85	98	123	148	172	275	275	275
D3	in	3.46	3.46	3.46	3.86	4.84	5.83	6.81	10.83	10.83	10.83
	mm	88	88	88	98	123	148	173	275	275	275
Height	in	11.02	12.99	14.17	14.96	16.14	16.14	16.93	22.44	22.44	22.44
	mm	280	330	360	380	410	410	430	570	570	570
Free Speed (rpm)	1st gear	12	7	5	3	2	1.5	1	0.5	0.4	0.3
	2nd gear	36	21	15	9	6	5	4	1	0.8	0.6
Weight (without support)	lb	15.43	16.53	19.84	24.25	33.07	44.09	52.91	132.27	132.27	132.27
	kg	7	7.5	9	11	15	20	24	60	60	60

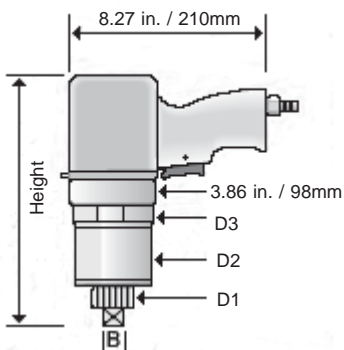
**AirTite® R Series**

**AT160R - AT1400R**



Titan Model No.		AT160R	AT290R	AT360R	AT660R	AT800R	AT1100R	AT1400R
Torque Range*	ft-lb	55 - 165	100 - 290	120 - 360	225 - 660	295 - 795	365 - 1070	475 - 1400
	nm	75 - 225	135 - 390	165 - 485	305 - 895	365 - 1080	495 - 1450	645 - 1900
Square Drive (B)	in	1/2 & 3/4	3/4	3/4	3/4	3/4	3/4 & 1	1
D1**	in	1.61	1.61	1.61	1.61	1.61	1.61 / 2.13	2.13
	mm	41	41	41	41	41	41 / 54	54
Height	in	10.04	10.04	10.04	10.83	10.83	10.83 / 11.81	11.81
	mm	255	255	255	275	275	275 / 300	300
Free Speed**	rpm	60	34	27	19	13	9	7
Weight (without support)	lb	13.89	13.89	13.89	15.43	15.43	15.43 / 16.1	16.1
	kg	6.3	6.3	6.3	7	7	7 / 7.3	7.3

**AT2000R - AT8000R**



Titan Model No.		AT2000R	AT2550R	AT3200R	AT4500R	AT5700R	AT7200R
Torque Range*	ft-lb	671 - 1969	870 - 2552	1099 - 3231	1534 - 4510	1925 - 5680	2430 - 7230
	nm	910 - 2670	1180 - 3460	1490 - 4380	2080 - 6115	2610 - 7700	3300 - 9800
Square Drive (B)	in	1	1	1-1/2	1-1/2	1-1/2	1-1/2
D1**	in	2.13	2.13	2.83	2.83	2.83	3.58
	mm	54	54	72	72	72	91
D2	in	3.35	3.35	3.86	4.84	5.83	6.81
	mm	85	85	98	123	148	173
D3	in	3.46	3.46	3.86	4.84	5.83	6.81
	mm	88	88	98	123	148	173
Height	in	11.81	11.81	12.6	13.78	13.78	14.57
	mm	300	300	320	350	350	370
Free Speed**	rpm	8	6.5	4	2.5	1.5	1
Weight (without support)	lb	19.84	19.84	26.46	35.27	41.89	55.12
	kg	9	9	12	16	19	25



# TITAN

TECHNOLOGIES INTERNATIONAL, INC  
SUPERIOR BOLTING SOLUTIONS®



Available in  
Pistol-Grip  
& Right Angle  
models



RATED  
IP 54

## E-TITE™ Electronic Torque Wrenches

- **Calibrated & Ready For Use**
- **Powerful**
- **Compact**
- **Accurate**
- **Extremely Durable**
- **Faster**
- **Light-Weight**
- **Efficient**



### TITAN'S Patented E-TITE™ Electric Technology

- Suitable for all **International Electric Networks** (100-253V / 45-66Hz)
- **Unique Universal Drive** - Electronic and Frequency Controlled
- **Brushless** - synchronized motor - constant high torque magnetic motor features a highly efficient operation ratio. Unique and patented advanced drive system.
- **Low Total Cost of Ownership** - High Quality, Reliable and Robust, Maintenance Free Motor
- **Fast** - Fastest Electronic tool on the market
- **Easy to operate** - Ergonomic and USER FRIENDLY
- **Finely Crafted** of the highest quality materials for unrivaled strength and long life
- **Precise and Accurate** - Automatic shut-off upon reaching the preset torque. The **Titan Advantage**: Accurate torque for both hard and soft flange applications
- **Guaranteed Quality** - Titan backs its products with the **strongest warranty** in the business. Ask about our **THREE YEAR Maintenance & Warranty** program
- **Quiet** - Virtually Silent in operation



### Titan E-TITE™ Electric Compact and Compact Plus Series: with IP54 Certification



#### Standard: 19 Preset Torque Settings

Pre-Set Torque is displayed via the corresponding LED Display

**Plus: Unlimited Torque Settings**, Plus Torque and Angle Capabilities, PLUS MORE

#### Technical Information

Preset torques, speed and frequency are correspondingly regulated, controlled and calibrated.

Micro-controlled monitoring combined with internal processor controlled switch-off electronics guarantees precise repeatability of preset torque.

Repeatable accuracy of +/- 5% for either soft or hard joints.

Integrated motor protection: A Unique Safety Feature is an automatic temperature shut-off. A built-in permanent cooling fan keeps on running after the safety shut-off, thus providing fast cooling.

Ergonomic Operation - Very comfortable to operate. Eliminates a source of repetitive stress disorder

Operational Features- On/Off Tool Switch, One-handed ergonomic operation, Right/Left rotation for safe and precise positioning of tool (excellent for tap operation) as well as start of tightening of nuts and bolts. Units feature a display and easy setting of desired shut-off torques, modes for rotation and angle, loosening, rotation of angle in degrees or number of revolutions included in operation menu.

Electrical Data: Voltage 100-253 V, Frequency 45, 66 Hz

Microprocessor Controlled: Computer shut-off. Electronic safe switch technology: Models from 85 Nm to 6300 Nm (63 ft lb to 4647 ft lb). Manual or preprogramming control modes. CSA Approved.





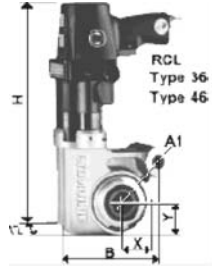
## Special Application Tools

### TITAN AT-52, AT-SG-42, AT-SG-52, ATC-52, ATC-SG-42 & ATC-SG-52

Titan AT 52 Radial Torque Wrench was developed as a fast easy way to run down the nuts and simultaneously seat the plates on PLATE HEAT EXCHANGERS. Best suited for larger Plate Heat Exchangers the AT 52 is also well suited for applications in confined or explosive atmospheres. This two speed unit will deliver from 670 Nm to 4840 Nm

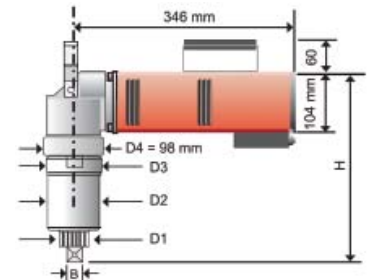
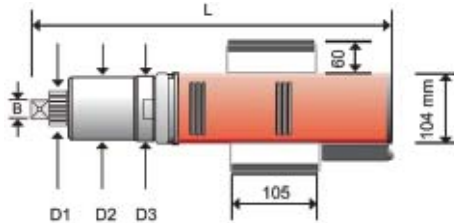


### TITAN AT-24 & AT-30



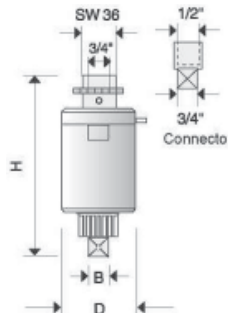
TITAN MODEL No.	2 Gear	1 Gear	H	B	X / Y	Weight
AT-24	590 - 1730 Nm 435 - 1275 ft-lb	1440 - 4235 Nm 1065 - 3125 ft-lb	400 mm 15.75 in.	163 mm 6.42 in.	56 mm 2.21 in.	12.5 kg 27.6 lb
AT-30	630 - 1850 Nm 465 - 1365 ft-lb	1545 - 4535 Nm 1140 - 3345 ft-lb	435 mm 17.13 in.	188 mm 7.40 in.	73 mm 2.87 in.	14.0 kg 30.9 lb

### TITAN EHS & EHS-P Extreme Duty Electric Torque Wrench



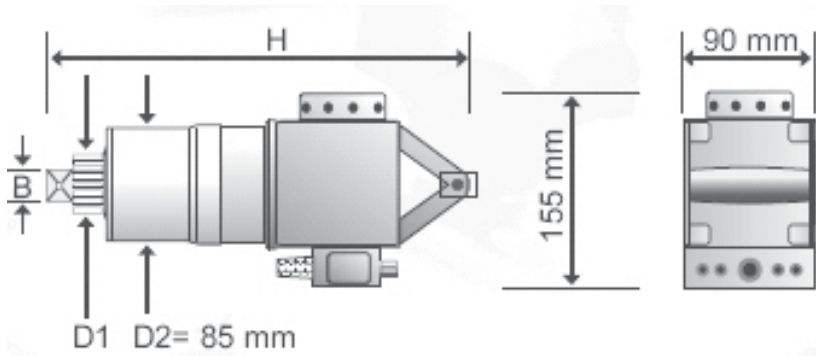
TITAN MODEL No.	EHS-1550 EHS-1550-P	EHS-2000 EHS-2000-P	EHS-2300 EHS-2300-P	EHS3150 EHS3150-P	EHS-4550 EHS-4550-P	EHS-5750 EHS-5750-P	EHS-7200 EHS-7200-P	EHS-15000 EHS-15000-P	EHS-31000 EHS-31000-P
Torque rang approx.	Nm 300-2100 ft-lbs 221-1550	Nm 435-2695 ft-lbs 320-1980	Nm 500-3100 ft-lbs 370-2280	Nm 900-4250 ft-lbs 663-3130	Nm 1100-6150 ft-lbs 811-4530	Nm 1800-7800 ft-lbs 1320-5750	Nm 2050-9800 ft-lbs 1500-7220	Nm 5300-20600 ft-lbs 3900-15200	Nm 6240-42120 ft-lbs 4600-31000
B Square Drive	1"	1"	1"	1 1/2"	1 1/2"	1 1/2"	1 1/2"	2 1/2"	2 1/2"
D1 Diameter approx.	54 mm	54 mm	72 mm	72 mm	72 mm	72 mm	91 mm	SW120	SW120
D2 Diameter	85 mm	85 mm	98 mm	98 mm	123 mm	148 mm	173 mm	275 mm	275 mm
D3 Diameter	88 mm	88 mm	88 mm	88 mm	123 mm	148 mm	173 mm	98 mm	130 mm
Length	515 mm	515 mm	515 mm	525 mm	550 mm	555 mm	555 mm	650 mm	650 mm
Weight	13 kg	13 kg	14 kg	14.5 kg	19 kg	22 kg	27 kg	60 kg	62 kg
Idle Speed approx	16 rpm	14 rpm	12 rpm	8 rpm	7 rpm	4 rpm	3 rpm	1 rpm	0.6 rpm

### TITAN Manual Power Drivers



Technical data		MM1100-R-12 (10)	MM1500-R-16 (15)	MM2600-R-16 (20)	MM3700-R-24 (30)	MM4500-R-24 (40)	MM5900-R-24 (50)	MM8500-R-24 (60)
Torque Capability, Ft. Lbs		1,050	1,500	2,600	3,700	4,500	5,900	8,500
Square Drive Out	B	3/4"	1"	1"	1-1/2"	1-1/2"	1-1/2"	1-1/2"
Input Square Drive		3/4"	3/4"	3/4"	3/4"	3/4"	3/4"	3/4"
Factor		4	4	4	18	20	24	28
Diameter	In/mm D	3.34 / 85	3.34 / 85	3.34 / 85	3.86 / 98	4.84 / 123	5.8 / 148	6.8 / 173
Height	In/mm H	7 / 180	7.8 / 200	9.2 / 235	9.8 / 250	11 / 280	11.0 / 280	11.4 / 290
Weight	Lb/kg	8 / 3.5	9 / 4	13 / 6	15 / 7	33 / 15	35 / 16	62 / 28





**Titan assembly line  
&  
Production Tooling**

**AirTite® ATC Series**

Series ATC		ATC-160	ATC-210	ATC-290	ATC-360	ATC-660	ATC-780	ATC1070	ATC-1400	ATC-2000	ATC-2500
Performance **	Nm	60-220	95-280	135-390	165-485	305-895	365-1080	495-1450	645-1900	910-2670	1180-3460
Square drive	B	1/2" / 3/4"	1/2" / 3/4"	3/4"	3/4"	3/4"	3/4"	1"	1"	1"	1"
Diameter D, **	mm	41	41	41	41	41	41	54	54	54	54
Height (H)	mm	296	296	296	296	318	318	320	340	372	372
Weight without support**	kg	5,8	5,8	6,2	6,2	6,8	6,8	6,8	6,8	7,4	7,4
Idling speed **	mm <sup>1</sup>	60	38	34	27	19	13	9	7	6	4
Prices	EUR										

\* Output profile: quick rotating tool  
Attention: Take care to secure and stable the reaction support.  
\*\*approximate values

## ACCESSORIES

### AirTite® special Reaction Arms and extensions

Need something special for that difficult bolting application? We probably have it in stock. Contact your Titan representative for details.



**Tower Crane Reaction**



**Mill Liner Reaction**



**Crab Nut Reaction**



**Deep Well  
Socket Reaction**



**Straight Reactions  
& Blanks**



**and MUCH MORE**

### Drive Extensions



The AirTite® Nose Extension Tool is a pneumatic torque wrench tool with an integral drive extension. This tool is especially useful in those difficult applications where a drive extension is required. Simple, and easy to use.

## TITAN Mission Statement

*Our mission is to be the leading global provider of high-end bolting solutions for the benefit of our customers, our shareholders, our employees and our partners by providing:*

- *Direct customer relations and local presence in the markets served.*
- *Superior products and services.*
- *Total customer solutions.*

Our unwavering mission guides our everyday actions....  
Customer driven product development fuels our growth....  
Listening to customer needs builds our market leadership....  
Continuous improvement is fundamental to our continued success.

**Titan Technologies** - Different from other companies that sell bolting products and services. Titan is a solutions based company which features a vast array of solutions to any bolting application.



**People:** Titan enjoys a worldwide network of experienced experts trained to recommend the most cost-effective solution for your bolting job.

**Technical Expertise** - Bolting applications experience in multiple industries including power generation, oil and gas, chemicals, pulp and paper and more.



**Quality:** All of our products are designed using the latest aerospace finite element design techniques and machining technology.

**Local Service** - Extensive network of independent sales representatives and authorized dealers located worldwide.



**Engineering:** Titan spends a higher percentage of its revenue in research and development to ensure the highest quality and most durable products on the market.

**Quality Guarantee • Extensive Warranty**

### ADDITIONAL PRODUCTS & SERVICES OFFERED

- Titan LP Series Hydraulic Torque Wrenches and T-Series Hydraulic Torque Wrenches
- Titan Bolt Tensioners - Modular and Dedicated Style
- AquaTite auto-return SUBSEA Tensioners
- Titan Hydraulic Nuts
- Power Spreader Flange Spreaders
- Power Splitter Nut Splitters
- Sockets & Accessories
- Titan Hydraulic Wrench Pumps
- Rentals For All Product Lines
- Equipment Service & Repair
- Calibration Service



**TITAN**  
TECHNOLOGIES INTERNATIONAL, INC  
SUPERIOR BOLTING SOLUTIONS®

9001 Jameel Rd. Ste. 180  
Houston, TX 77040

Toll-Free for U.S.A. and Canada: 866.345.8484  
Phone: +1.281.449.9994 • Fax: +1.281.449.9996  
Email: Sales@TitanTi.com  
<http://www.TitanTi.com>

Your Local **TITAN** Representative: