



AquaTite™

The worlds only spring return subsea tensioner

NO MORE RETURNING THE SUBSEA

TENSIONER TOPSIDE

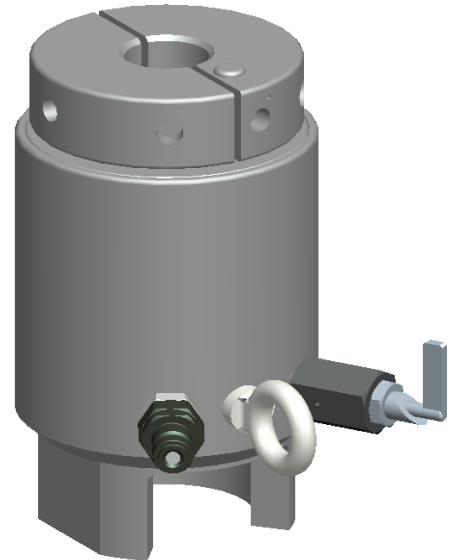
Environmentally Friendly

▪REDUCE DIVER FATIGUE

AQUATITE is the worlds only spring return Tensioner.

Uses water as the hydraulic fluid, and the patented design of a Pressure Release Valve enables the auto piston return to take place right on the sea bed, at the flange itself, by simply moving one lever!

- Optimised size, weight and load capacity
- Spring Piston Return
- Comprehensive operating/safety manual
- Long life composite material seals
- Pressure tested and certificates issued
- Configurable hydraulic connections
- Environmentally safe
- 20 mm Stroke
- Split nut for quick assembly
- Complementary range of 1000 bar pumps, f hoses and fittings
- Positive piston stop prevents accidental over-stroke
- Superior corrosion protection

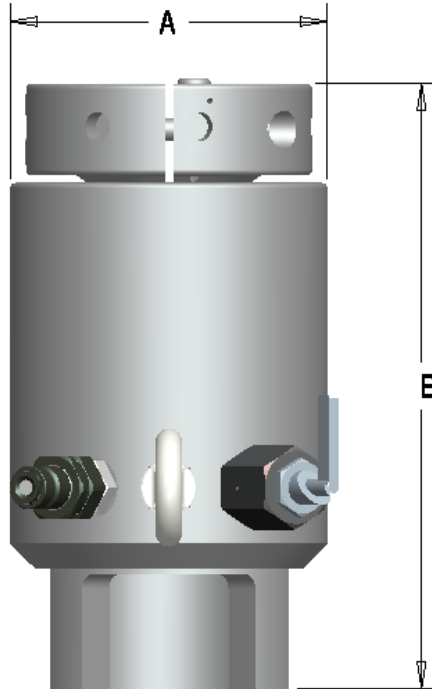


PRODUCT - AQUATITE SUB SEA TENSIONER



DATA SHEET

PRODUCT - AQUATITE SUB SEA TENSIONER



AQUATITE			Pressure Area		Load		A - Diameter		B - Height		
Model Number	Bolt Size		mm ²	in ²	kN	klbf	mm	in	mm	in	
AQ 1	1"	M24	2293	3.55	355	237	53.32	88	3.46	205	8.07
	1.1/8"	M27									
		M30									
AQ 2	1.1/4"	M33	3501	5.43	362	81.39	113	4.45	205	8.07	
	1.3/8"	M36									
AQ 3	1.1/2"	M39	4830	7.49	500	112.31	129	5.08	210	8.27	
	1.5/8"	M42									
AQ 4	1.3/4"	M45	6448	9.99	667	149.92	150	5.91	215	8.46	
AQ 5	1.7/8"	M48	6893	10.68	713	160.26	160	6.30	225	8.86	
	2"	M52									
AQ 6	2.1/4"	M56	10178	15.78	1053	236.64	174	6.85	230	9.06	
AQ 7	2.1/2"	M60	12395	19.21	1283	288.17	197	7.76	245	9.65	
		M64									
AQ 8	2.3/4"	M68	15088	23.39	1562	350.81	211	8.31	260	10.24	
		M72									
AQ 9	3"	M76	18157	28.14	1879	422.15	220	8.66	275	10.83	
AQ 10	3.1/4"	M80	24110	37.37	2495	560.57	257	10.12	295	11.61	
	3.1/2"	M85									
		M90									

- 15,000 psi / 1035 bar operating pressure
- 0.78 in / 20 mm max stroke